



SPECIFICATIONS

Weight (lbs.)

Max. GVWR		23,000
	Front	7,935
	Rear	15,800
Body/Payload		Up to 14,785

Dimensions (in.)

Wheelbase		163.8/175.6 (MT only)/187.4/200.8 (MT/AT)
Usable cab to rear axle		128.5/140.4/152.2/164.8
Overall length (End of frame)		285.2/302.4/319.2/341.3

Engine

Model		Mitsubishi 6D16-3AT3
Type		4-stroke cycle, watercooled, direct injection, turbocharged, intercooled diesel
No. of cylinders		Six in-line
Piston displacement		460.3 cu. in. (7.5 liters)
Max. output (SAE, gross)		200 hp@2,600 rpm
Max. torque (SAE, gross)		434 lb.ft.@1,600 rpm
Air cleaner		Dry paper element with snorkel and rain cap
Starter		12-volt
Alternator		12-volt, 100-amp

Chassis

Clutch		Hydraulic control, coil spring, 13.8 in. single dry cerametallic disc
Transmission (Automatic option)		6 forward and 1 reverse speed, 2nd to 6th synchromesh, 1st and reverse constant mesh gears
	Ratio: manual	6.875/4.189/2.460/1.542/1.000/0.786, reverse 6.875
	Ratio: automatic	(Allison AT542)* 3.454/2.253/1.407/1.000, reverse 5.024
Axle	Front	Reverse Elliot, I-beam-type, 7,935 lbs. capacity
	Rear	Full-floating-type, 16,975 lbs. capacity
Final reduction gear		Single-reduction hypoid gear
	Ratio	4.875 (MT) 4.625 (AT)
Tires		Single front highway, dual rear traction
	Size	Premium 9R22.5 (12PR)
Steering		Ball-nut-type with integral-type hydraulic power booster. Telescopic and tilt steering column with steering lock
Suspension	Front	Laminated leaf springs with shock absorbers
	Rear	Laminated leaf springs
Brakes	Service	Air-over hydraulic, self-adjusting with anti-lock, air dryer standard (exhaust brake standard on MT only)
	Parking	Internal expanding-type on propeller shaft
Fuel tank		50-gallon tank and fuel/water separator (standard)
Electrical system		Two 12-volt, maintenance-free batteries
Vehicle safety		Energy-absorbing steering wheel, crush bars in doors, daytime running lights and ABS standard

*Allison does not approve the AT542 Transmission for use in refuse packers or one-way rental operations.

FK



2 0 0 1



FK

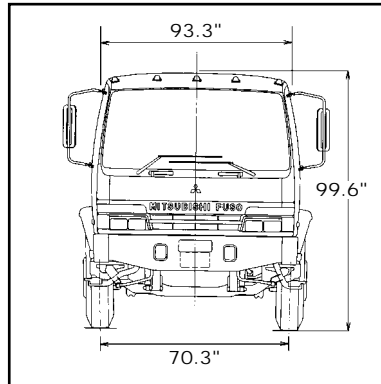
MITSUBISHI FUSO TRUCK
OF AMERICA, Inc.
P.O. Box 464
100 Center Square Road
Bridgeport, NJ 08014

For the dealer nearest you,
or for more information,
call: 877-202-9650

Or visit our web site at:
www.mitfuso.com

Vehicle specifications are subject to change
without notice. Photos and descriptions included
in this brochure may vary in comparison to
actual vehicle models.

♻️ PRINTED IN THE U.S.A. ON RECYCLED AND
RECYCLABLE PAPER 6/00. ©2000 MITSUBISHI FUSO
TRUCK OF AMERICA, Inc.



- A. Wheelbase (in.)
163.8/175.6 (MT only)/187.4/200.8 (MT/AT)
- B. Usable cab to rear axle (in.)
128.5/140.4/152.2/164.8
- C. Overall length (in.)
285.2/302.4/319.2/341.3

