

NOTE: The information contained in this document is intended for use by trained, professional technicians with the knowledge, tools, and equipment to properly and safely perform diagnoses and repairs. It informs service technicians about conditions that may occur in some vehicles, or provides information that could assist in proper vehicle diagnosis, service, or repair, and does not indicate that a defect is present. **DO NOT** assume that a symptom or condition, or a described cause of a symptom or condition, affects any particular vehicle or that a described repair applies to any particular vehicle. There can be multiple causes resulting in the same symptoms or conditions, and trained professional service technicians must use their diagnostic skills to make evaluations on a case-by-case basis.

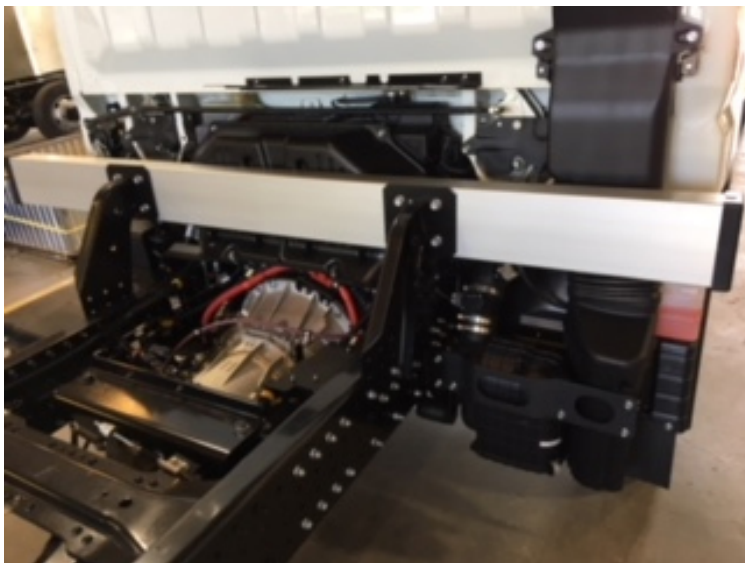
SUBJECT:
Underride Guard Installation Procedure

POTENTIALLY AFFECTED MODELS:
2019 FECZTS (FE140 GAS), FEC7TS (FE160 GAS single cab), and FEC7TW (FE160 GAS crew cab)

DESCRIPTION:
These are the steps to follow to install the rear underride guard. (Note: The underride guard spacers, plates, and fasteners can be located behind the passenger seat.)

All FE GAS vehicles are shipped with the rear underride guard temporarily mounted on top of the frame aft of the cab to facilitate vehicle decking for shipment.

IT IS IMPERATIVE THAT THE TRUCK NOT BE OPERATED ON PUBLIC ROADWAYS WITHOUT FIRST INSTALLING THE SUPPLIED UNDERRIDE GUARD ACCORDING TO THE INSTALLATION INSTRUCTIONS, OR INSTALLING AN APPROVED REAR BUMPER WHICH MEETS CURRENT FMVSS REQUIREMENTS. THE DEALER PREP TIME HAS BEEN INCREASED TO COMPENSATE DEALERS FOR INSTALLATION OF THE FURNISHED GUARD. IT IS IMPERATIVE THAT THE GUARD BE INSTALLED PRIOR TO OPERATING THE VEHICLE ON PUBLIC ROADWAYS.



Please initial and route to the following personnel before filing.											
Service Mgr.		Warranty Mgr.		Service Technicians - Initial in boxes below.							
Shop Foreman		Parts Mgr.									

This Service Information Bulletin is supplied for information purposes only and is not an authorization for any repairs.



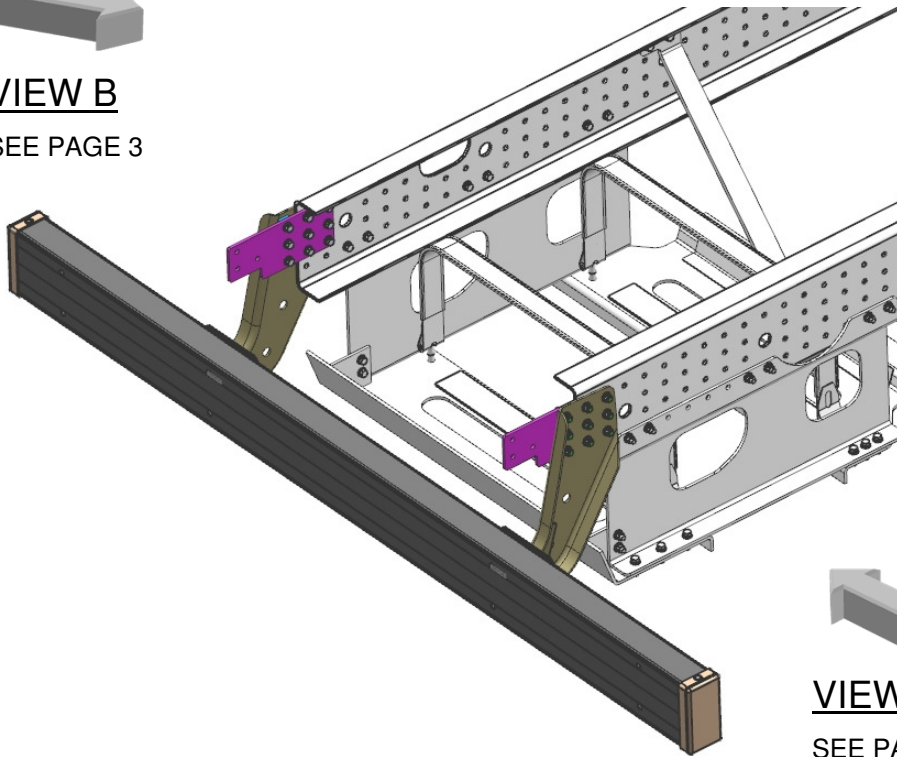
VIEW B

SEE PAGE 3



VIEW C

SEE PAGE 4

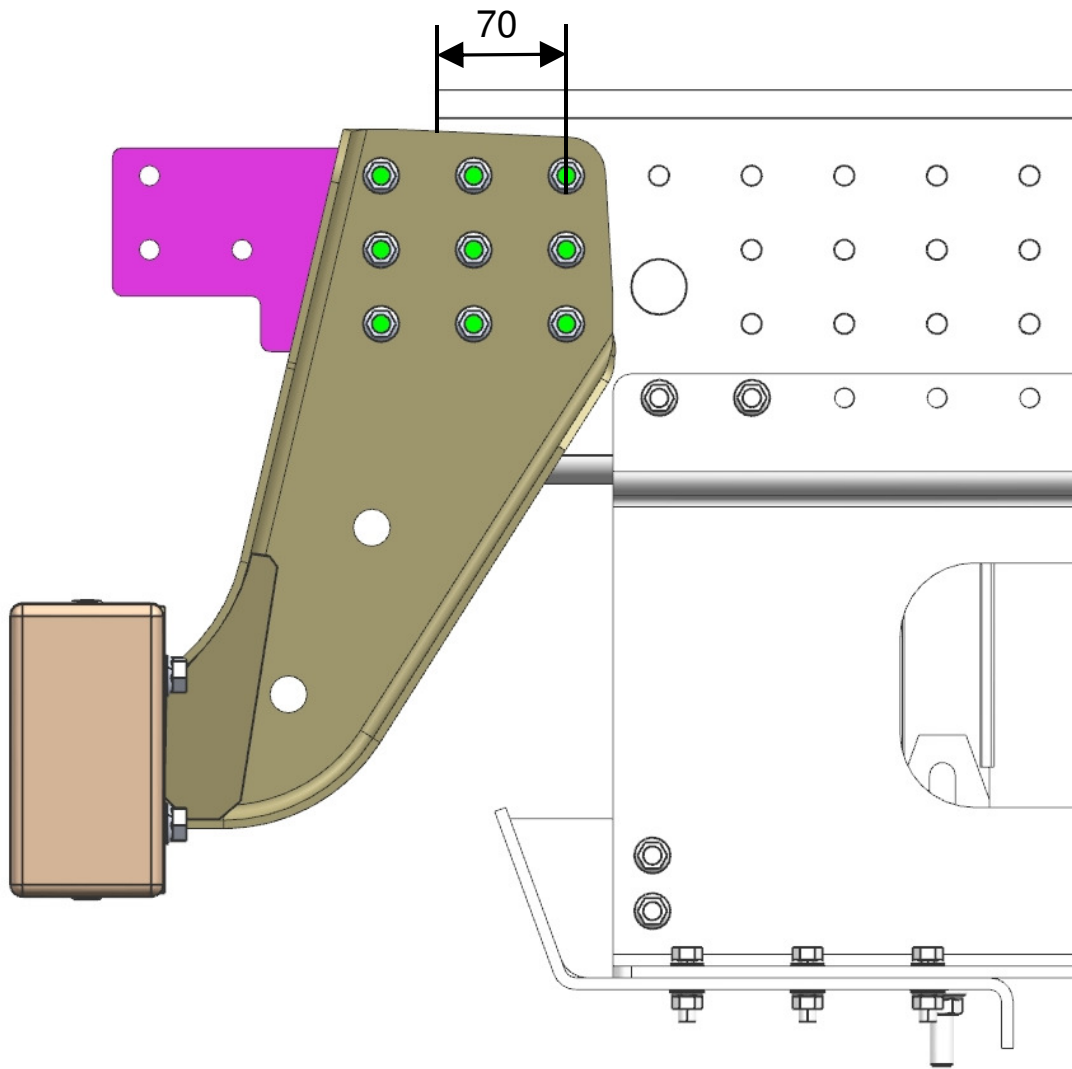


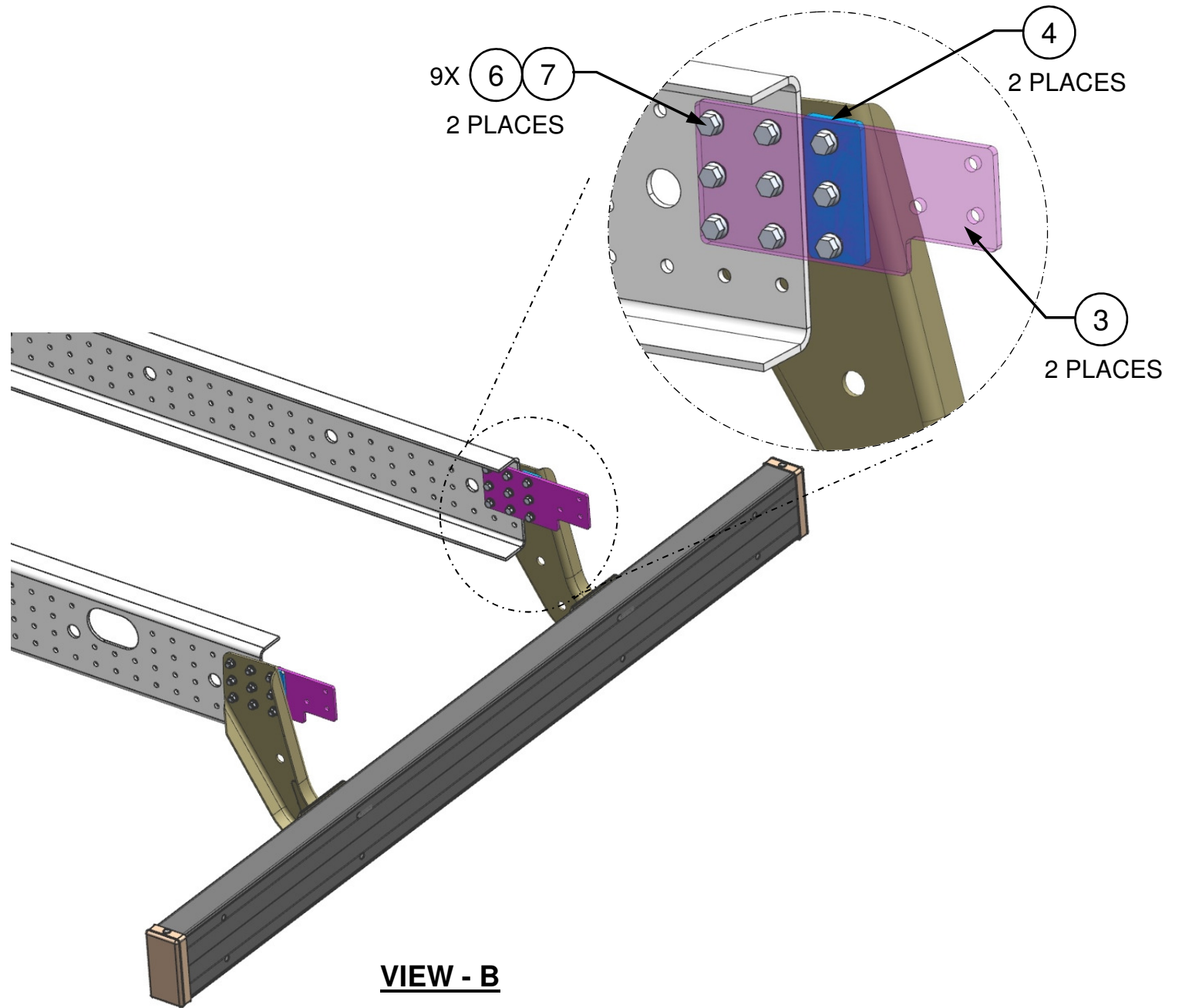
VIEW A

SEE PAGE 2

1. Mount underride guard extension plates, bumper stays, and spacers with supplied hardware.

2. Torque supplied flange head fasteners per MFTBC spec (see last page) unless otherwise specified.







1. Install rear bumper assembly with supplied hardware.
2. Torque supplied flange head fasteners per MFTBC spec (see last page) unless otherwise specified.

VIEW - C

ITEM NUMBER	MASTER #	REF	DESCRIPTION	QUAN
22-76628-000	55402	004	SPACER-UNDERRIDE GUARD,FUSO	2
22-76631-000	55402	003	PLATE-EXTN,UNDERRIDE GUARD	2
D22-76632-000	554A1	A00	INSTL-BRKT,MTG,UNDERRIDE GUARD	R
MBFMB200979	0132Q	007	NUT,FLANGE(10)	18
MBFMF140481	01265	008	BOLT-FLANGE,M12X20,8T	8
MBFMK657167	55401	001	BUMPER ASSY,REAR	1
MBFML215525	55402	005	STAY,REAR BUMPER,LH	1
MBFML215526	55402	002	STAY,REAR BUMPER,RH	1
MBFMS146812	01265	006	BOLT-FLANGE,M10X30,T10	18

Torque Specs:

M10: 60 to 80 Nm {44 to 59 ft.lbs, 6.1 to 8.2

kgf.m}

M12: 98 to 120 Nm {72 to 89 ft.lbs, 10.0 to

12.0 kgf.m}

(from 2017 BB book)